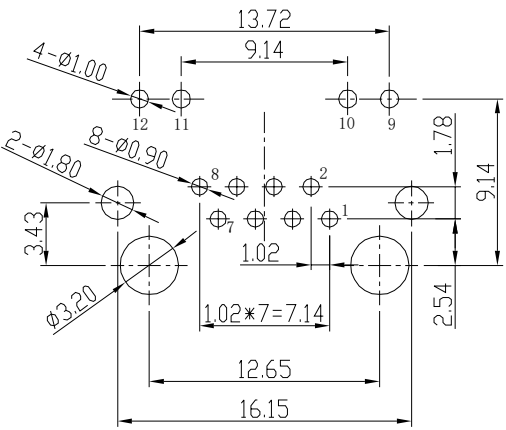
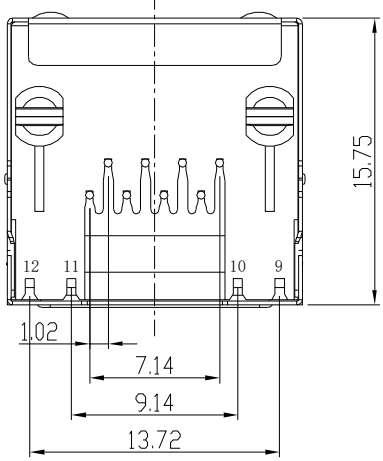
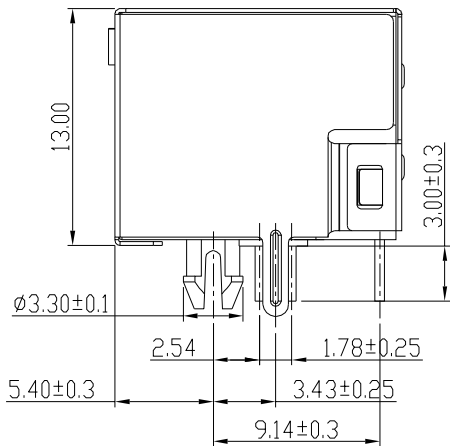
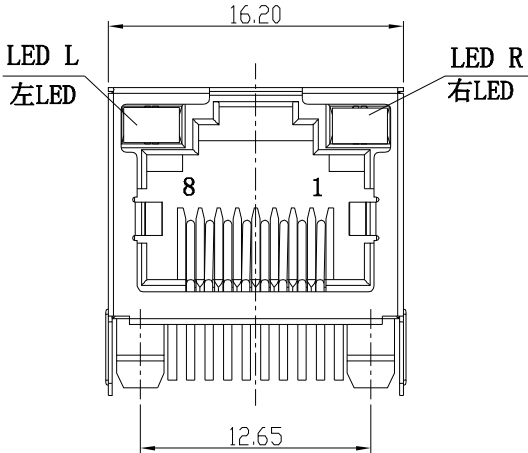


REV.	ECN.NO.	NAME	DATA
AO	NEW	MIN-D	2020-05-22



Recommend PCB Layout
(Jack Top View)
TOLERANCES:±0.05

SPECIFICATION NOTES:

ELECTRICAL:

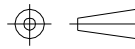
- VOLTAGE RATING: 125 VAC RMS
- CURRENT RATING: 1.5 AMP
- CONTACT RESISTANCE: 30mΩ MAX.
- INSULATION RESISTANCE: 500MΩMIN. AT 500V DC.
- DIELECTRIC STRENGTH: 1000 VAC 50Hz 1MINUTE

MECHANICAL:

- HOUSING MATERIAL:
SEE PART NUMBER.
- CONTACTS:φ0.46mm PHOSPHOR BRONZE,GOLD PLATING OVER NICKEL
- SHIELD:0.20mm THICKNESS COPPER ALLOY WITH NICKEL PLATED.
- OPERATING LIFE:750 CYCLES MIN.
- MATING FORCE: 30N MAX.
UNMATING FORCE: 30N MAX.

ENVIRONMENTAL:

- STORAGE:-40°C TO +85°C
- OPERATION: -40°C TO +85°C

DETACHED LISTS	MM (INCH)		绘图 (Designed)	MIN-D 2020-05-22
	公差 TOLERANCES		审核 (Checked)	
	MM .0 ± 0.20 .00 ± 0.15 .000 ± 0.075	MM .0 ± 0.38 .00 ± 0.25 .000 ± 0.15	批准 (Approved)	
	角度 (ANGLES) ± 1.5°		材料 (Material)	SEE NOTES
	 第三角视图		比例 (SCALE)	1:1

Coorle Technology

系列 (SERIES)	名称 (NAME)
RJ	56LED RJ45 8P8CS 全包 带灯无EMI
图号 (DWG NO.):	版本
料号 (PART NO): RJ45-5688GF-P005	REV. AO
单位 (UNIT): MM	共 (SHEET) 1 页 第 (OF) 1 页

1
2
3
4
5
6
7
8